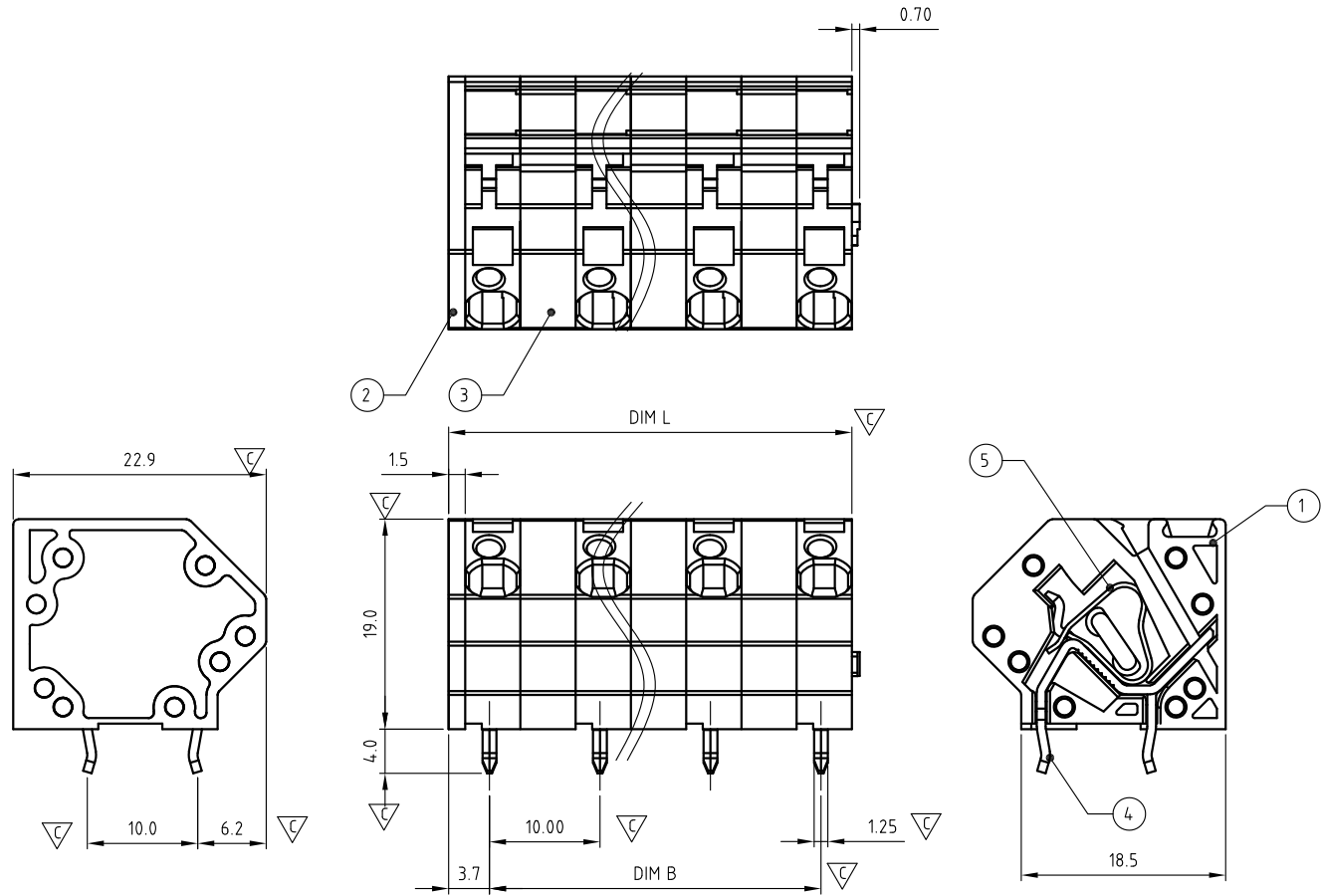


Transfer or duplication of this document as well as the utilisation or communication of its content are not permitted unless express consent is granted. Violations give rise to claims for damages. All rights reserved in case of patent, utility model or design patent registrations.



Technical data

- Nominal voltage: 300V/20A (TUV 800V/32A III/2)  
PITCH:10.0mm
- Connection capacity:  
AWG 28-12 / rigid sol 0.08-4mm<sup>2</sup> / rigid str 0.08-2.5mm<sup>2</sup>
- Insulation Withstanding Voltage:  
AC 1600V/MIN / AC 4000V/MIN
- Insulation Resistance:  
1000MΩ or more at DC500V
- Stripping length: 8-9mm
- Using temperature range:-40°C-105°C  
Soldering temperature:250±10°C/5s

7.Undimensioned Tolerances:

Dim.L=(P-1)x10.0+6.5		
Dim.B=(P-1)x10.0		
P= number of poles(2-10P)		
	Dim B	Dim L
0-30mm	±0.15	±0.20
over 30mm-60mm	±0.20	±0.25
over 60mm-90mm	±0.25	±0.30
over 90mm	±0.30	±0.40

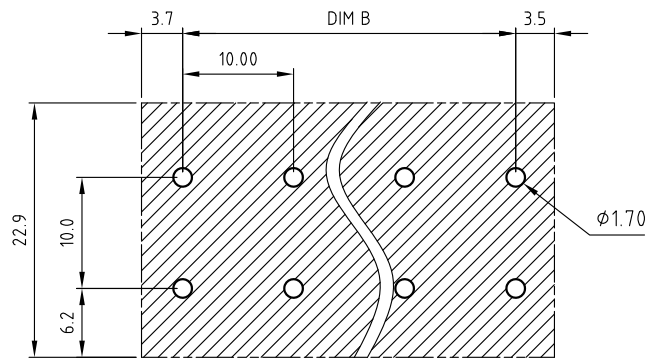
8.Safety approval:

9.RoHS Compliance

10.Critical dimension:

SFAM100 xx x 00x  
① ② ③

- ① Poles 02-12
- ② Color  
0 Black 3 Orange 5 Green 6 Blue 8 Dark gray....
- ③ Custom  
000 "K" logo 00K KUNACON logo



PCB LAYOUT

5	WIRE GUARD	Stainless steel	t=0.4mm	P
4	CONTACT	COPPER	t=0.80mm, Tin PLATED	P
3	CUSHION BLOCK	PA66 UL94V-0	t=5.0mm	P-1
2	END COVER	PA66 UL94V-0		1
1	BODY	PA66 UL94V-0		P
ITEM	NAME OF PART	MATERIAL	NOTES	Q'TY
DWG.	WF. Zhang	DATE	2021.03.05	UNITS: MM SHEET: 1 OF 1 Tolerance
CHK.	WF. Zhang	DATE	2021.12.28	SCALE: NONE 2:1 ( : ) REV.: A X. ±0.50 X.X ±0.30 X.XX ±0.10 X° ±1°
APP.		DATE		TITLE: SF-AM100-45D Series terminal block
				PART NO. SFAM100xxx00x
				DWG NO. SF-AM100-B001

REV	△	SIGN	DESCRIPTION	CHK.	DATE



KUNA Contact Technology Co, Ltd  
http://www.kunacon.com